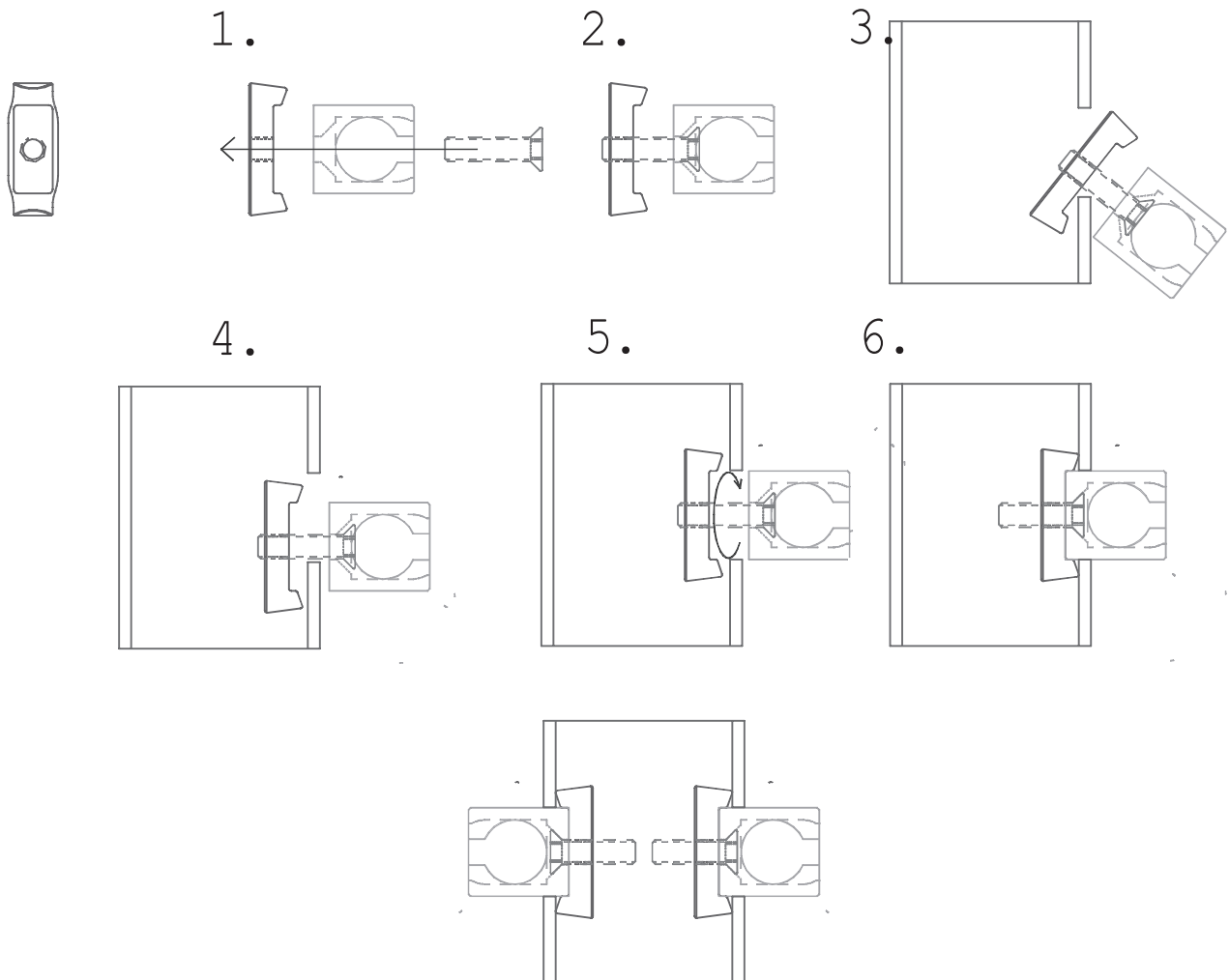


## Ball Tube Clips

Surface Mounting Sockets are easily fitted to tubes using only a 22mm hole saw, a small file and a Hex Key (Allen Key) (see below for instructions). Fitting them to a wooden post or wall requires no more than the appropriate screw and a screwdriver. Every effort has been taken to minimise the number of tools required for installation. This makes the Surface Mounting Sockets an ideal anchorage point for the DIY enthusiast looking to install wire balustrade on their staircase or decking.



The surface mounting sockets are easily adapted for round or square section tube by the use of Tube Clips ([page 24](#)).

1) + 2) Attach the Tube Clip to the socket with an M6x20 countersunk socket head screw.

3) + 4) Hook the assembly into a 22.2mm hole in the tube.

5) Lift the socket into position and tighten the screw whilst pulling the Tube Clip against the inside of the tube until...

6) ...the Tube Clip is tight up against the socket and the socket is bedded down inside the tube.

***n.b. Care must be taken to avoid dropping the socket into the tube until the wire is clipped into place and under tension.***

Sockets fitted with Tube Clips sit inside the tube therefore it is not necessary to stock different sockets for different tube diameters. No welding is required to assemble this system avoiding difficult clean up jobs and allowing for quick on-site installation.