

# SWAGELESS COMPRESSION TERMINAL

## Eye End

### Benefits

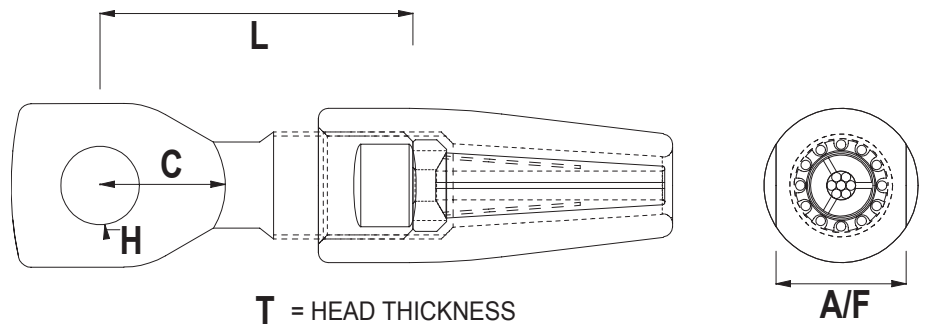
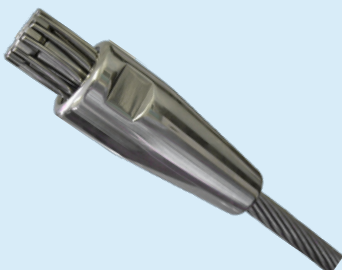
The Unique star shaped Crown Ring positions and holds the wire strands in place, eliminating the requirement for awkward wire end bending. The shallow angled cone establishes direct mechanical grip on the core and all other outer strands. Stainless steel grade EN10088 1.4404 (316) is used on all parts with the exception of the crown ring which is manufactured from Aluminium Bronze. No sealant or packing is required.

### Wire Construction

The part codes in the table are for 1 x 19 wire rope construction. Different Cones and Crown Rings are used for 7 strand, compact strand and Dyform®.

Add suffix -7 for 7 Strand wires.

Please refer to your re-seller for the relevant coding for Compact Strand or Dyform®.



Swageless Compression Terminals - Eyes

Product Code	W	H	F	C	L	T	A/F	Weight
CTE03	3mm	6.35mm	7mm	11mm	22mm	5mm	9.5mm	21g
CTE04	4mm	8mm	8mm	14mm	28mm	6.5mm	11mm	39g
CTE05	5mm	9.5mm	9.5mm	17mm	32mm	7.8mm	14mm	65g
CTE06	6mm	11.1mm	12.5mm	20mm	38mm	9.5mm	17mm	126g
CTE06US	6mm	12.7mm	13.5mm	23mm	43mm	11.5mm	17mm	140g
CTE07	7mm	12.7mm	13.5mm	23mm	45mm	11.5mm	20mm	165g
CTE08DS	8mm	12.7mm	13.5mm	23mm	48mm	11.5mm	22mm	235g
CTE08	8mm	14.3mm	16mm	24mm	52mm	13.5mm	22mm	355g
CTE08US	8mm	16mm	17mm	29mm	56mm	15mm	22mm	390g
CTE10	10mm	16mm	17mm	29mm	59mm	15mm	26mm	462g
CTE10US	10mm	19.05mm	19mm	34mm	65mm	17.5mm	26mm	600g
CTE11	11mm	19mm	22mm	34mm	65mm	18mm	26mm	600g
CTE12	12mm	19.05mm	19mm	34mm	79mm	17.5mm	32mm	912g
CTE14	14mm	22.2mm	25.5mm	40mm	86mm	21.5mm	36mm	1344g
CTE16	16mm	25.4mm	27mm	46mm	94mm	23.5mm	40mm	1867g
CTE19	19mm	28.58mm	30.5mm	51mm	98mm	27.5mm	44mm	2227g
CTE22	22mm	32mm	35.5mm	58mm	108mm	31mm	52mm	3440g
CTE26	26mm	35mm	37.5mm	63mm	144mm	33.5mm	64mm	5575g

Also available with Fork, Toggle, and Threaded Stud End

#### Wire Construction

The part codes in the table are for 1 x 19 wire rope construction. Different Cones and Crown Rings are used for 7 strand, compact strand and Dyform®. Add suffix -7 for 7 Strand wires. Please refer to your re-seller for the relevant coding for Compact Strand or Dyform®.