

# SWAGELESS COMPRESSION TERMINAL

## Fork End

### Benefits

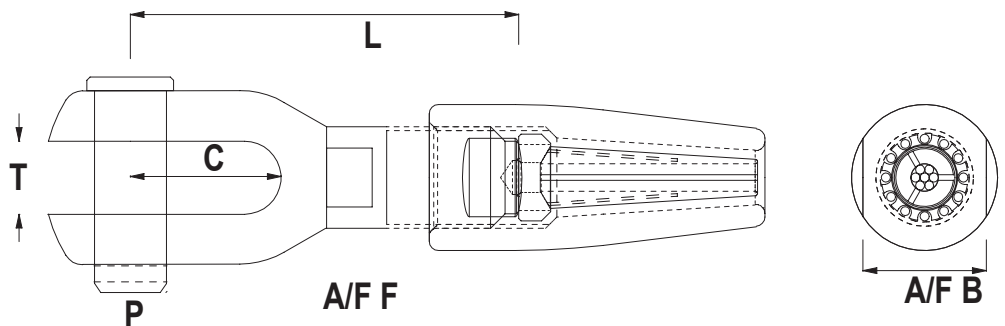
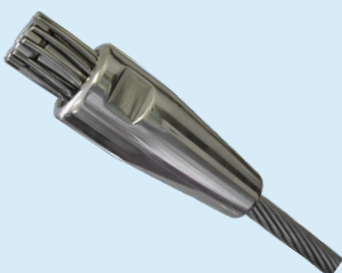
The Unique star shaped Crown Ring positions and holds the wire strands in place, eliminating the requirement for awkward wire end bending. The shallow angled cone establishes direct mechanical grip on the core and all other outer strands. Stainless steel grade EN10088 1.4404 (316) is used on all parts with the exception of the crown ring which is manufactured from Aluminium Bronze. No sealant or packing is required.

### Wire Construction

The part codes in the table are for 1 x 19 wire rope construction. Different Cones and Crown Rings are used for 7 strand, compact strand and Dyform®.

Add suffix -7 for 7 Strand wires.

Please refer to your re-seller for the relevant coding for Compact Strand or Dyform®.



| Swageless Compression Terminals - Forks |      |        |        |        |       |       |        |
|---|------|--------|--------|--------|-------|-------|--------|
| Product Code                            | W    | P      | C      | T      | L     | A/F B | Weight |
| CTF03                                   | 3mm  | 6mm    | 12.5mm | 6.2mm  | 30mm  | 9.5mm | 29g    |
| CTF04                                   | 4mm  | 8mm    | 17mm   | 7.9mm  | 40mm  | 11mm  | 60g    |
| CTF05                                   | 5mm  | 9.5mm  | 19mm   | 9.9mm  | 47mm  | 14mm  | 103g   |
| CTF06                                   | 6mm  | 11mm   | 22mm   | 10.9mm | 50mm  | 19mm  | 159g   |
| CTF07                                   | 7mm  | 12mm   | 25mm   | 12.7mm | 58mm  | 20mm  | 239g   |
| CTF08DS                                 | 8mm  | 12mm   | 25mm   | 12.7mm | 63mm  | 22mm  | 323g   |
| CTF08                                   | 8mm  | 14mm   | 28mm   | 13.8mm | 70mm  | 22mm  | 395g   |
| CTF08US                                 | 8mm  | 16mm   | 32mm   | 15.8mm | 72mm  | 22mm  | 490g   |
| CTF10                                   | 10mm | 16mm   | 32mm   | 15.8mm | 78mm  | 26mm  | 542g   |
| CTF12                                   | 12mm | 19mm   | 38mm   | 17.8mm | 93mm  | 32mm  | 918g   |
| CTF14                                   | 14mm | 22mm   | 45mm   | 22mm   | 106mm | 36mm  | 1464g  |
| CTF16                                   | 16mm | 25.4mm | 50mm   | 25mm   | 126mm | 40mm  | 2125g  |
| CTF19                                   | 19mm | 28mm   | 58mm   | 28.2mm | 133mm | 44mm  | 2616g  |
| CTF22                                   | 22mm | 32mm   | 64mm   | 31.8mm | 146mm | 52mm  | 3890g  |
| CTF26                                   | 26mm | 35mm   | 70mm   | 34.8mm | 167mm | 64mm  | 6393g  |

Also available with Eye, Toggle, and Threaded Stud End

**Wire Construction**  
 The part codes in the table are for 1 x 19 wire rope construction. Different Cones and Crown Rings are used for 7 strand, compact strand and Dyform®. Add suffix -7 for 7 Strand wires. Please refer to your re-seller for the relevant coding for Compact Strand or Dyform®.