

# MARINE SHACKLES

## Retained Shake Proof Pins and Socket Head Pin Shackles - All Patterns

### Shake Proof Shackles

The shake proof shackle incorporates the new Smart-Lock pin which benefits from a unique locking mechanism. When the ring is threaded onto the shackle body the ring acts like a viscous liquid and binds itself to the internal threads of the shackle. After a short period of time, the pin is locked into position. A sharp turn by hand or shackle key will release the ring and allow the pin to be unscrewed easily. The pin can be re-used without deterioration.

AVAILABLE FROM PIN SIZE 5mm to 16mm

The shake proof shackle incorporates an innovative polyurathane ring which enhances the fit of the pin, ensuring that once in position the pin will not vibrate loose.



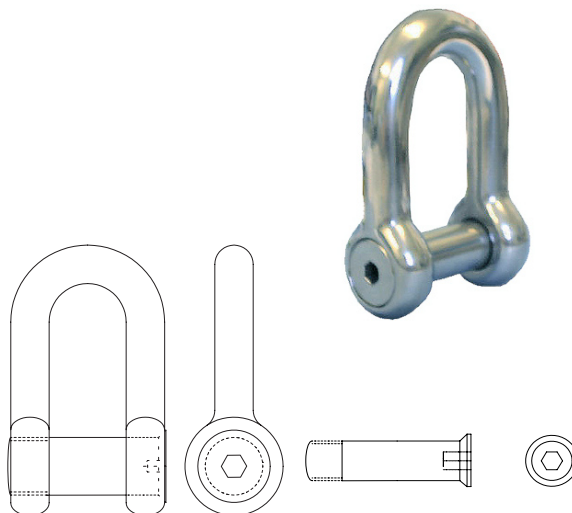
*The Polyurathane ring prevents the shackle pin from vibrating loose. The innovative ring enhances the fit of the shackle pin.*

### Socket Head Shackles

Manufactured from Molybdenum Stainless Steel grade 316 for the highest corrosive resistance and low magnetic properties. Available in all designs of shackles: D, Bow, Twist, Long D and Long Twist.

AVAILABLE FROM PIN SIZE 5mm to 19mm.

All dimensions are identical to the standard screw pin shackle. Socket head dimensions are as detailed.



Socket Head Pins	
Pin Size	Key Size
5mm	2mm
6mm	3mm
8mm	4mm
10mm	4mm
11mm	5mm
12mm	5mm
16mm	6mm
19mm	6mm