

STAINLESS STEEL SWAGE TERMINALS

Swage Shackle Toggle

Benefits

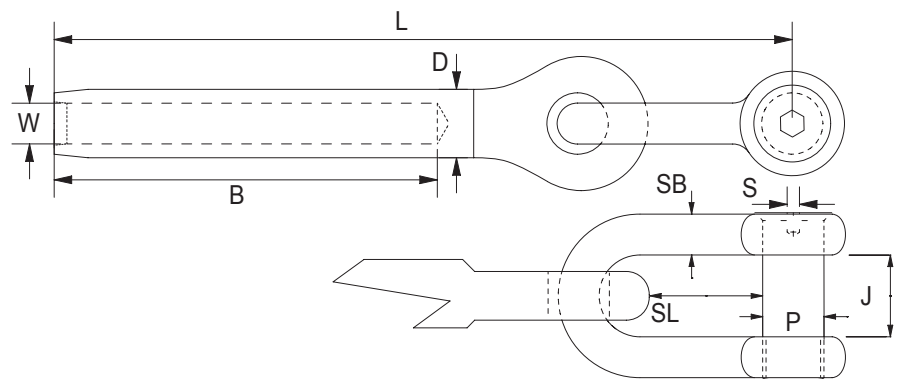
Electrical upsetting with beneficial grain structure and low stress levels to reduce fatigue.

Free from structural welds which may reduce the strength and integrity of the product.

All eyes are manufactured from solid bar - no welding involved.

Inspection certificate BS EN 10204 3.1B available on request (This must be specified at the time of order).

High quality finish and excellent polish



Swage Shackle Toggles

Product Code	W	P	D	B	SB	SL	S	J	L	Weight
SST03	3mm	6mm	6.3mm	39mm	5mm	14mm	3mm	14mm	82mm	25g
SST04	4mm	8mm	7.5mm	45mm	6mm	16mm	4mm	20mm	101mm	48g
SST05	5mm	9.5mm	9.1mm	52mm	8mm	22mm	4mm	22mm	118mm	89g
SST06	6mm	11mm	12.7mm	64mm	9.5mm	27mm	5mm	25mm	141mm	179g
SST07	7mm	12mm	14.3mm	70mm	11mm	32mm	5mm	27mm	158mm	273g
SST08	8mm	14.3mm	16.0mm	80mm	12.7mm	36mm	5mm	29mm	179mm	407g
SST10	10mm	16mm	18.0mm	100mm	14.3mm	42mm	6mm	29mm	216mm	684g
SST12	12mm	19mm	21.4mm	132mm	16mm	45mm	6mm	32mm	263mm	1027g
SST14	14mm	22.2mm	25.0mm	156mm	19mm	63mm	8mm	38mm	309mm	1508g
SST16	16mm	25.4mm	28.2mm	176mm	22mm	63mm	8mm	45mm	351mm	2525g

Unique to Petersen Stainless Rigging