

# STAINLESS STEEL SWAGE TERMINALS

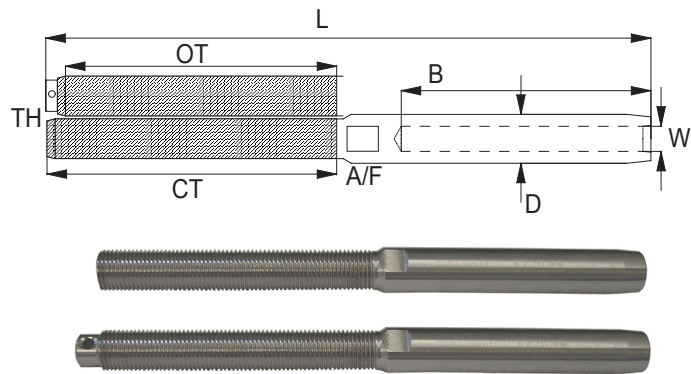
## Swage Studs RH & LH with Imperial Threads

### Benefits

Free from structural welds which may reduce the strength and integrity of the product.

All Swage Studs are manufactured from solid bar.

Available in Open or Closed body Style.



### Swage Studs with Imperial Threads

Product Code	W	TH	D	B	L	CT	OT	A/F	Weight
S#1/4x3	3mm	1/4" unf	6.3mm	39mm	97mm	47mm	42mm	5mm	24g
S#1/4x4	4mm	1/4" unf	7.5mm	45mm	104mm	47mm	42mm	5mm	30g
S#5/16x4	4mm	5/16" unf	7.5mm	45mm	113mm	54mm	49mm	6mm	36g
S#5/16x5	5mm	5/16" unf	9.1mm	52mm	123mm	54mm	49mm	6mm	51g
S#3/8x5	5mm	3/8" unf	9.1mm	52mm	135mm	68mm	63mm	8mm	60g
S#3/8"x6	6mm	3/8" unf	12.5mm	64mm	149mm	68mm	63mm	8mm	85g
S#7/16x6	6mm	7/16" unf	12.5mm	64mm	154mm	75mm	68mm	11mm	108g
S#7/16x7	7mm	7/16" unf	14.3mm	70mm	161mm	75mm	68mm	11mm	130g
S#1/2x7	7mm	1/2" unf	14.3mm	70mm	177mm	90mm	83mm	12mm	162g
S#1/2x8	8mm	1/2" unf	16.0mm	80mm	190mm	90mm	83mm	14mm	196g
S#5/8x8	8mm	5/8" unf	16.0mm	80mm	201mm	100mm	93mm	14mm	260g
S#5/8x10	10mm	5/8" unf	18.0mm	100mm	223mm	100mm	93mm	16mm	306g
S#3/4x12	12mm	3/4" unf	21.4mm	132mm	277mm	120mm	111mm	19mm	550g
S#7/8x14	14mm	7/8" unf	25.0mm	156mm	325mm	140mm	130mm	22mm	874g
S#1x16	16mm	1" unf	28.2mm	176mm	369mm	160mm	150mm	25mm	1275g
S#11/8x19	19mm	1 1/8" unf	34.5mm	210mm	425mm	180mm	168mm	28mm	2050g
S#11/4x22	22mm	1 1/4" unf	40.3mm	242mm	482mm	200mm	188mm	32mm	3200g
S#13/8x26	26mm	1 3/8" unf	45.9mm	290mm	557mm	220mm	208mm	36mm	4000g

Replace # with C for Closed Body Style (CT) or O for Open Body Style (OT)

All products are produced to a high degree of quality control, using modern lean manufacturing processes, resulting in a reliable and consistent product