

STAINLESS STEEL THREADED TOGGLE

Threaded Terminals - Toggle Studs RH & LH

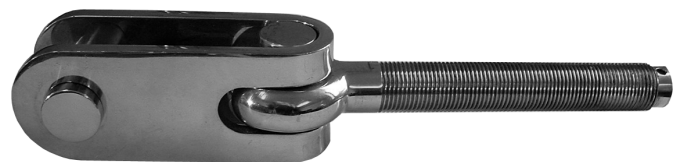
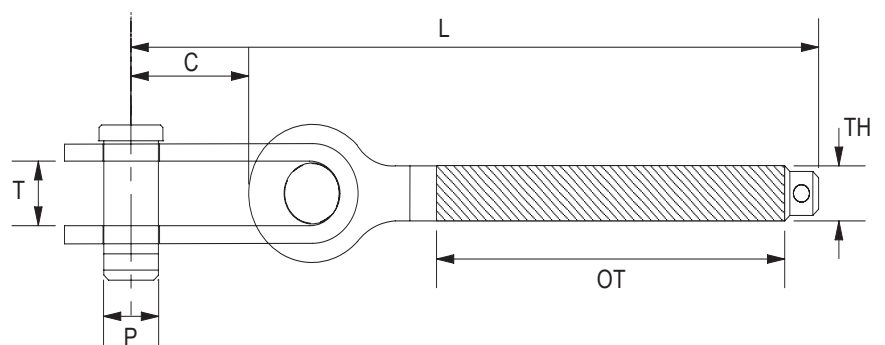
Benefits

Electrical upsetting with beneficial grain structure and low stress levels to reduce fatigue.

All threads are precision forged or cut to BS3643 part 1 and 2 and BS1580 part 1 and 2.

Free from structural welds which may reduce the strength and integrity of the product.

All eyes are manufactured from solid bar - no welding involved.



Threaded Terminals - Strap Toggle Studs RH or LH							
Product Code	Thread	P	T	C	L	OT	Weight
TSO03	1/4" unf	6mm	8mm	14mm	89mm	42mm	30g
TSO04	5/16" unf	8mm	9mm	18mm	101mm	49mm	64g
TSO05	3/8" unf	9.5mm	11mm	21mm	129mm	63mm	110g
TSO06	7/16" unf	11mm	13mm	25mm	136mm	68mm	208g
TSO07	1/2" unf	12mm	15mm	27mm	156mm	83mm	284g
TSO10	5/8" unf	16mm	19mm	36mm	193mm	93mm	593g
TSO12	3/4" unf	19mm	22mm	45mm	259mm	111mm	1062g
TSO14	7/8" unf	22mm	25mm	53mm	300mm	130mm	1882g
TSO16	1" unf	25.4mm	28mm	62mm	336mm	150mm	2523g
TSO19	1 1/8" unf	28mm	32mm	63mm	390mm	168mm	3917g
TSO22	1 1/4" unf	32mm	35mm	76mm	442mm	188mm	5628g
TSO26	1 3/8" unf	35mm	38mm	92mm	485mm	208mm	7409g

All products are produced to a high degree of quality control, using modern lean manufacturing processes, resulting in a reliable and consistent product